

This drawing shows a cross-section of a material with a grid-like structure. The grid is formed by interconnected, rounded rectangular cells. The walls of these cells are labeled '10' and '111'. The cells are arranged in a regular, repeating pattern. Labels 'A', 'B', and 'C' indicate specific points or regions within the structure. An arrow labeled '11' points to the overall structure. A small flame-like shape labeled 'A' is shown at the top of one of the cells.

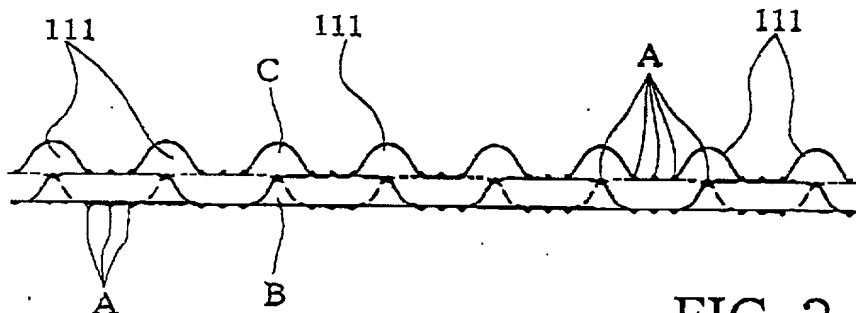


FIG. 3

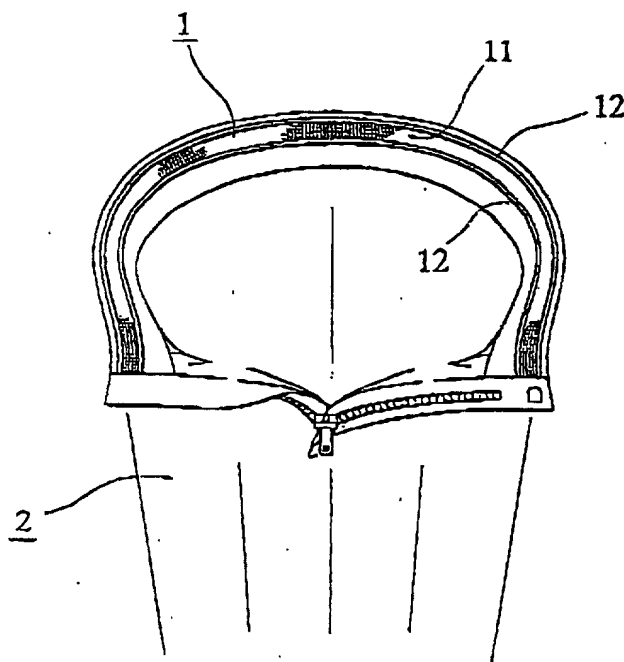


FIG. 4

01- 3-15;11:01PM;KATO & SHIOIRI

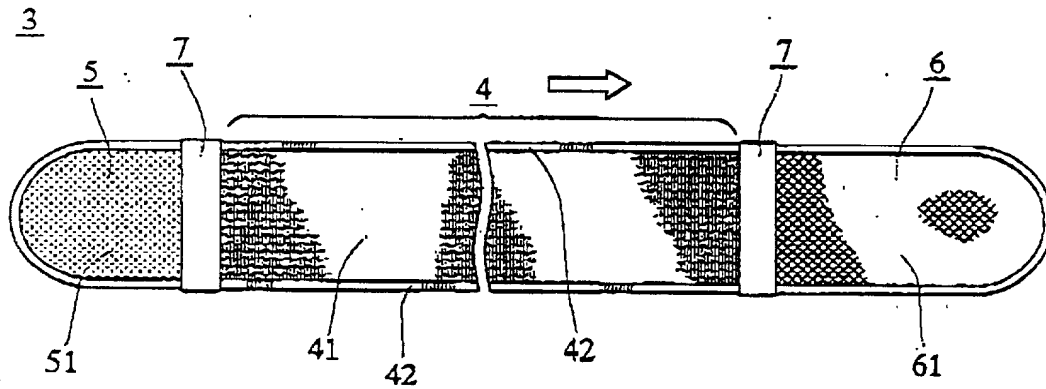


FIG. 5

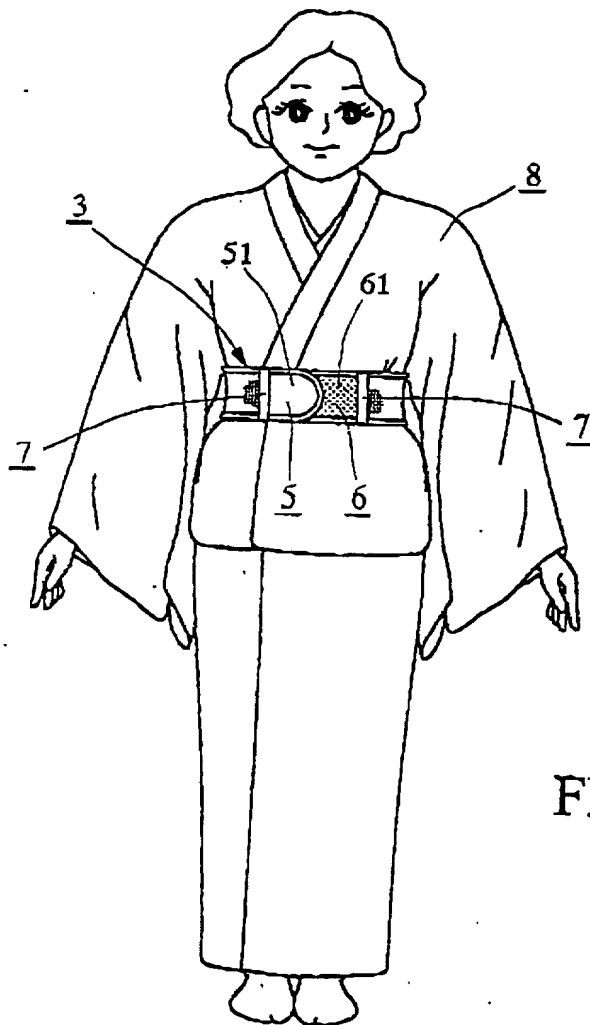


FIG. 6

01- 3-15;11:01PM;KATO& SHIOIRI JonesTuller ;0797381141 # 15/ 15